

RAINFALL BASIN FAUCET

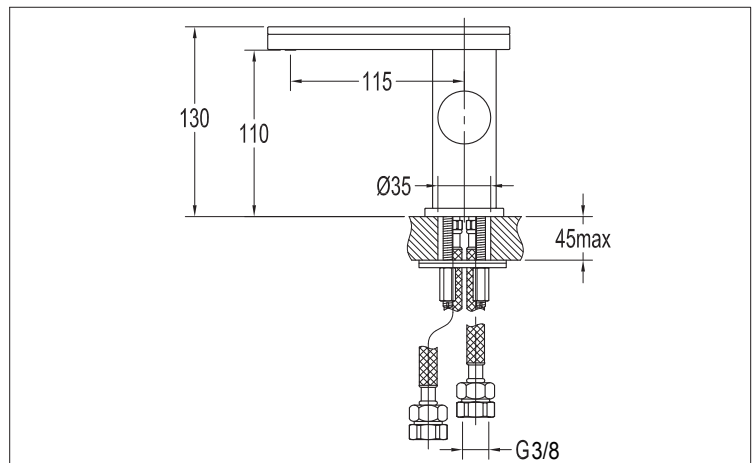
SW375

Please read instructions before commencing installation and retain for future reference.

Technical specifications:

1. The product is used between water pressure 0.05~1.0MPa, water temperature 4 ~90°C.
2. Do not hang heavy things on the faucet.
3. Make sure the faucet is off when no water comes out of it (especially when nobody resides in the house or during the period of decoration or the absence of water).
4. Always clean the surface of faucet to keep it bright. Attention:Please do not use inappropriate tools such as sharp brushes,rough sponges,scouring pads or corrosive detergent sold in the market, because its formula is changing frequently. Please clean the faucet by wet cloth and soapy water after each time of usage. Then rinse the soap out with clean water and dry with a soft cotton cloth.
5. When the room temperature drops to below 0°C, take necessary measures (such measures as keeping faucet warm and closing windows) to prevent the faucet from being frozen and even broken (especially when windows kept open for air ventilation while nobody resides in).
6. Please open the cold water and hot water in turn and adjust the temperature before washing or showering.Don't touch the faucet of hot part to avoid scald.
7. Do not disassemble the product unless you are an expert.

Installation Dimensions:



The installation diagram is only for reference and subject to the real objects.

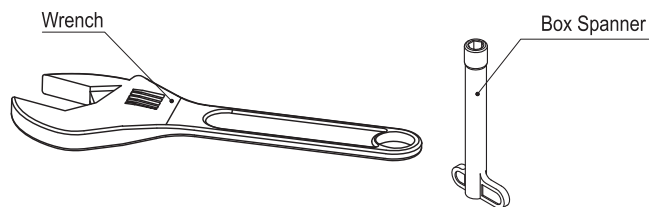
MOUNTING INSTRUCTION

SW375

Installing Steps:

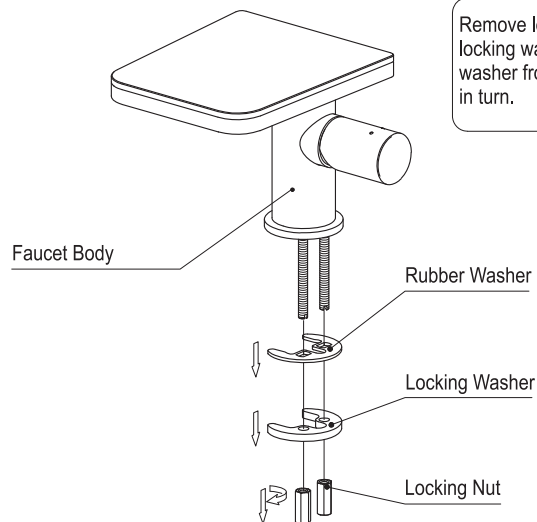
1

Prepare and check the following tools.



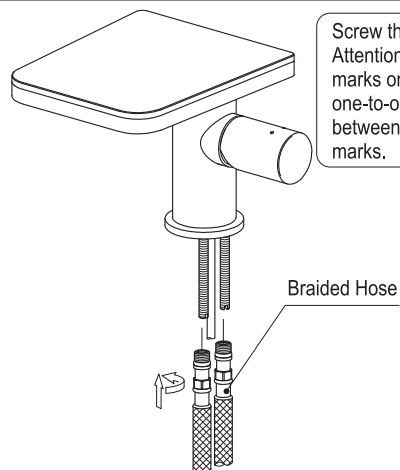
2

Remove locking nuts, locking washer and rubber washer from faucet body in turn.



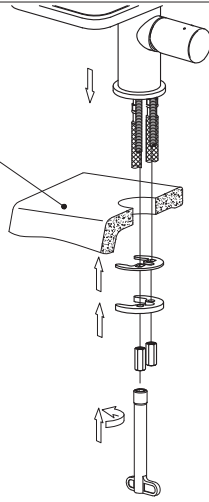
3

Screw the braided hoses. Attention to the red and blue marks on the joint, it is a one-to-one correspondence between braided hoses and marks.



4

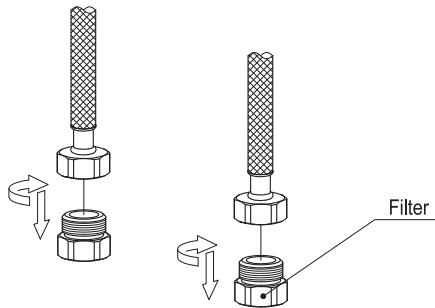
Basin Countertops



Place faucet body through the hole of basin countertops. Pad the rubber washer and locking washer in order. Tighten them with locking nuts

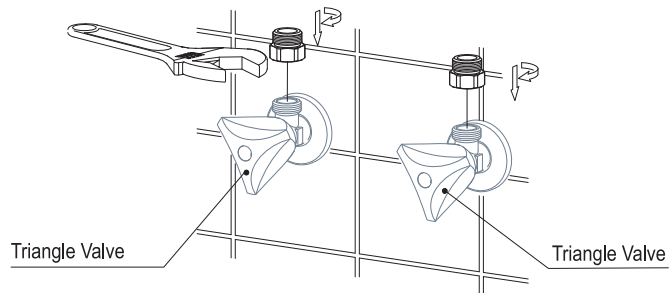
5

Remove the filter from the braided hose. Attention to the filter net in the filter.



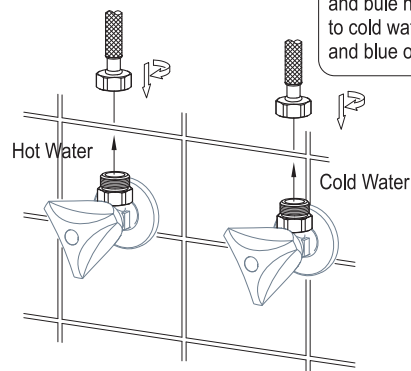
6

Screw the filter onto the triangle valve.



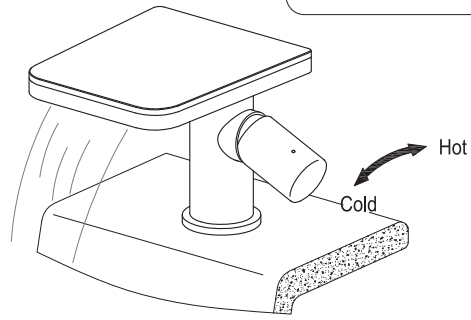
7

Connect the filter and braided hose. The red hose corresponds to hot water and blue hose corresponds to cold water. (red on the left and blue on the right.)



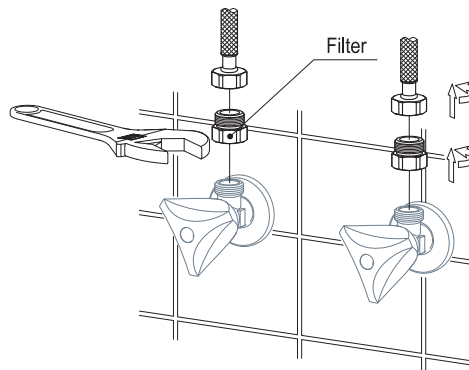
8

After installation is complete, run water for inspection. The figure is for the case when the handle is turned on.



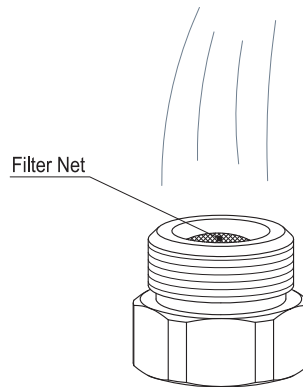
Cleaning:

1



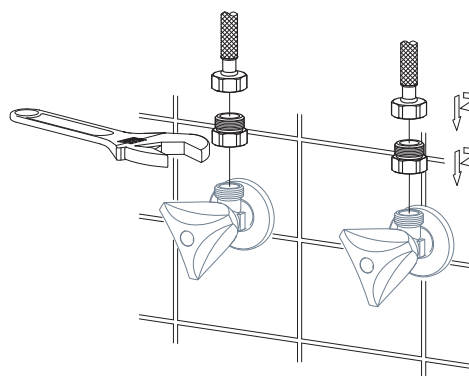
Turn off water.
Unscrew the braided
hose and filter in turn.

2



Clean the filter net with clear water.

3



Install the filter and
braided hose in turn.
Attention to red hose
corresponds to hot
water and blue hose
corresponds to cold
water (red on the left
and blue on the
right).