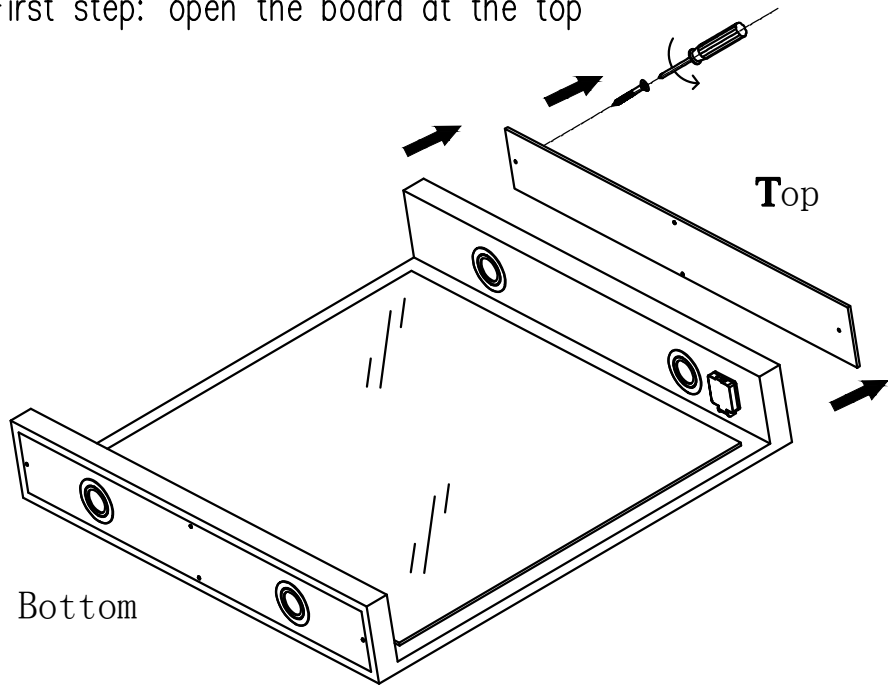
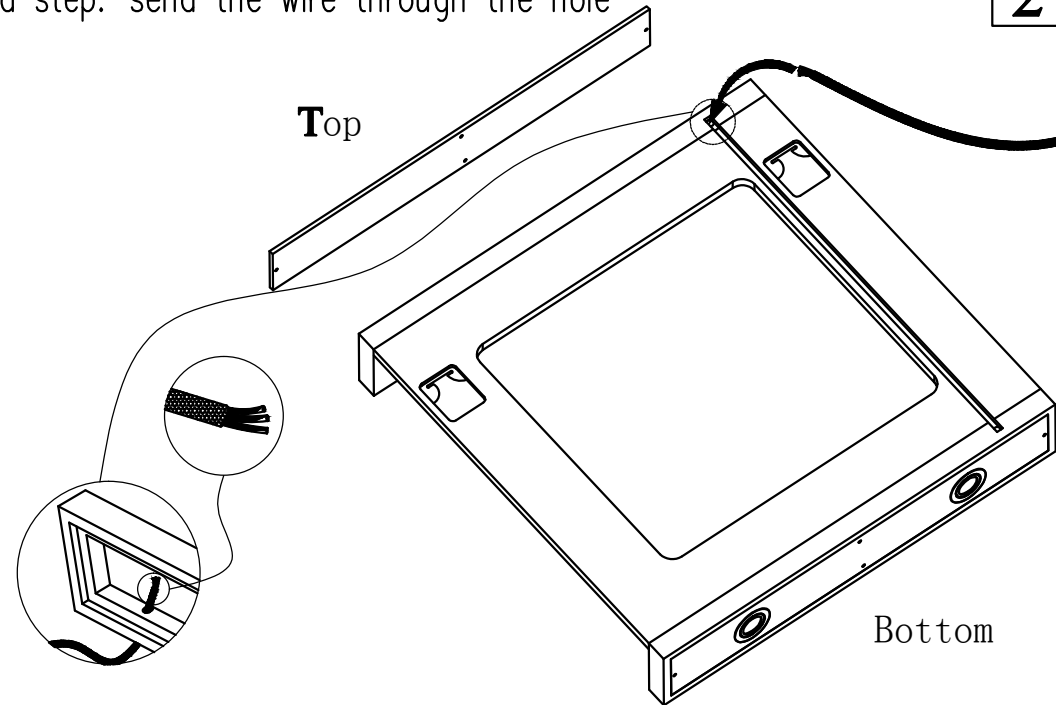


1 First step: open the board at the top



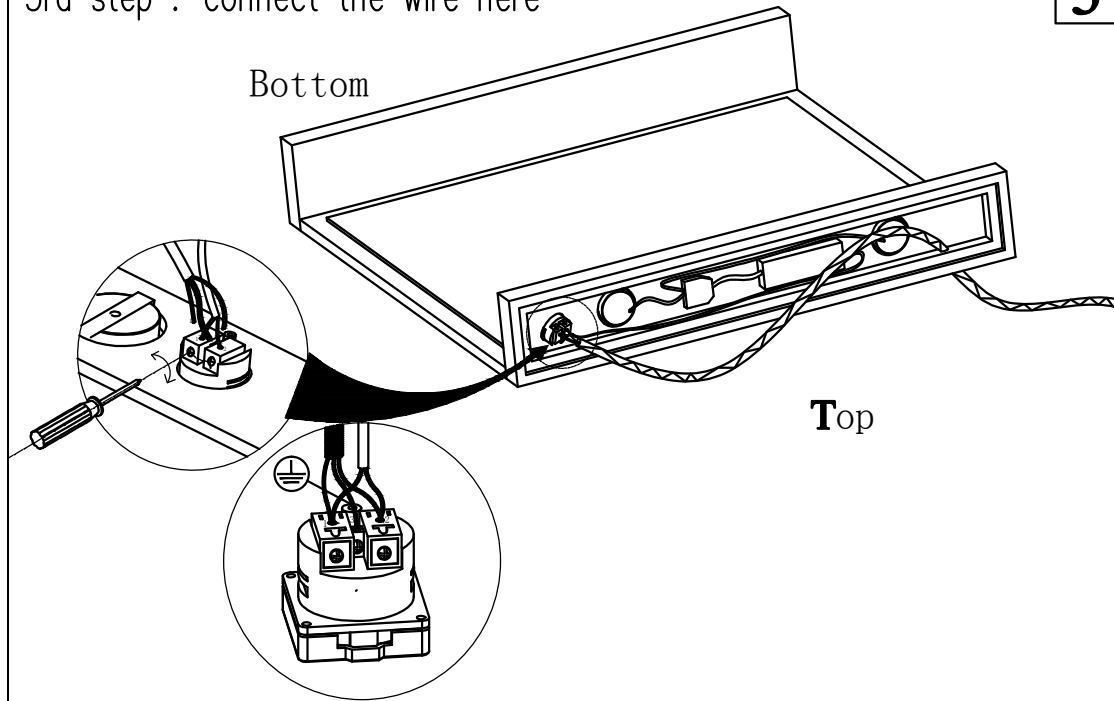
1

2 2nd step: send the wire through the hole



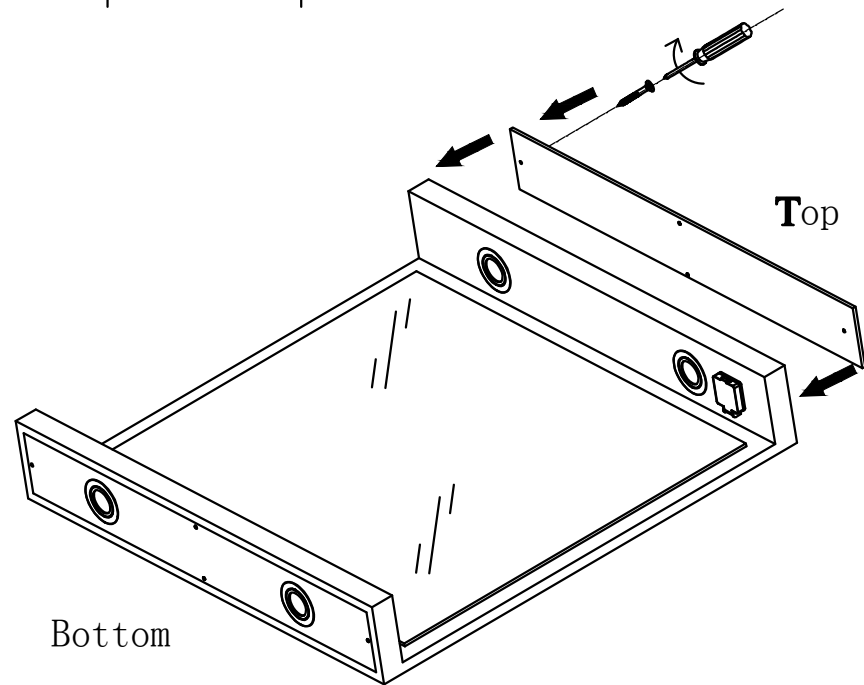
2

3 3rd step : connect the wire here

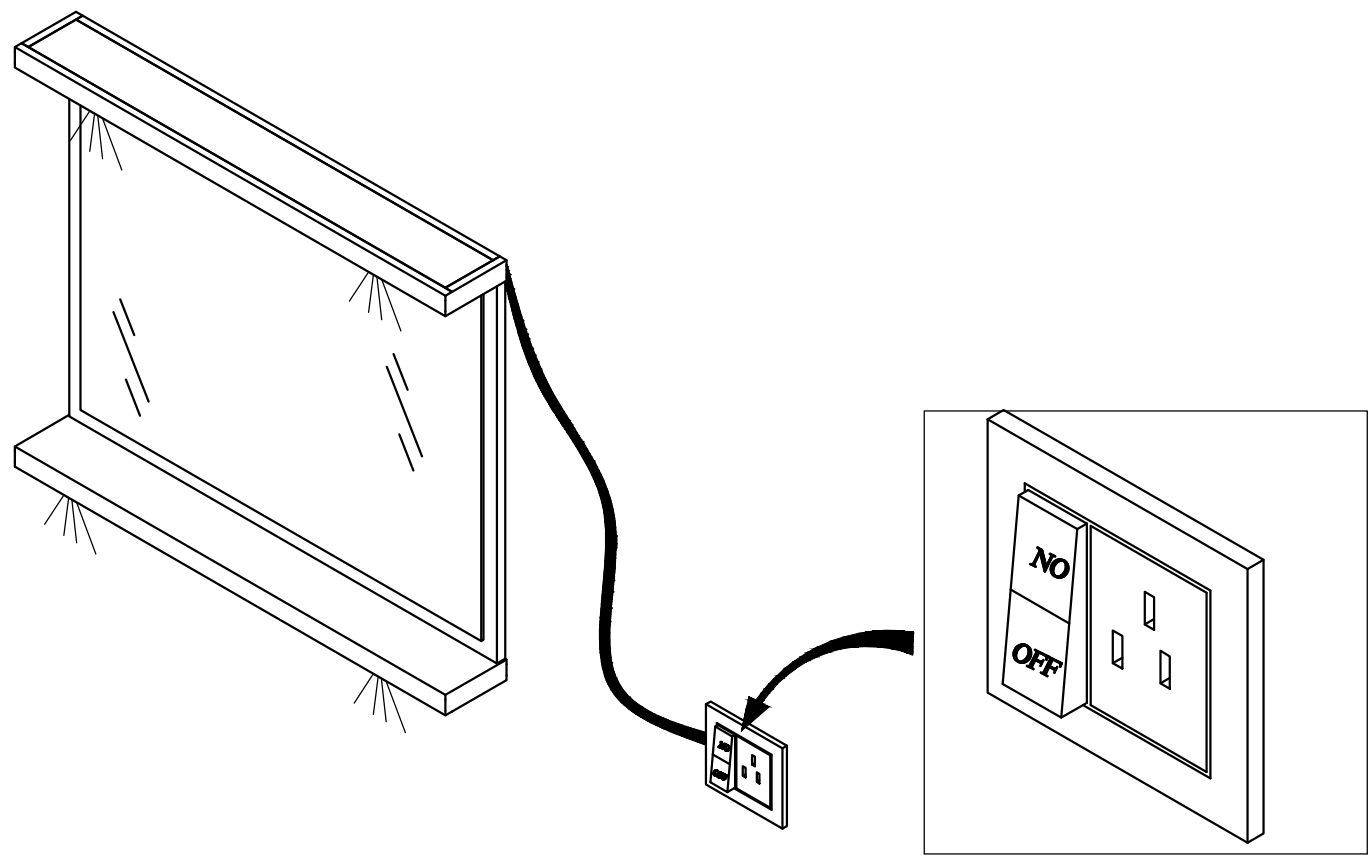


3

4 4th step: fix the top board



4



5th step: plug the wire into test if the light is on.

SOL