

Installationsguide



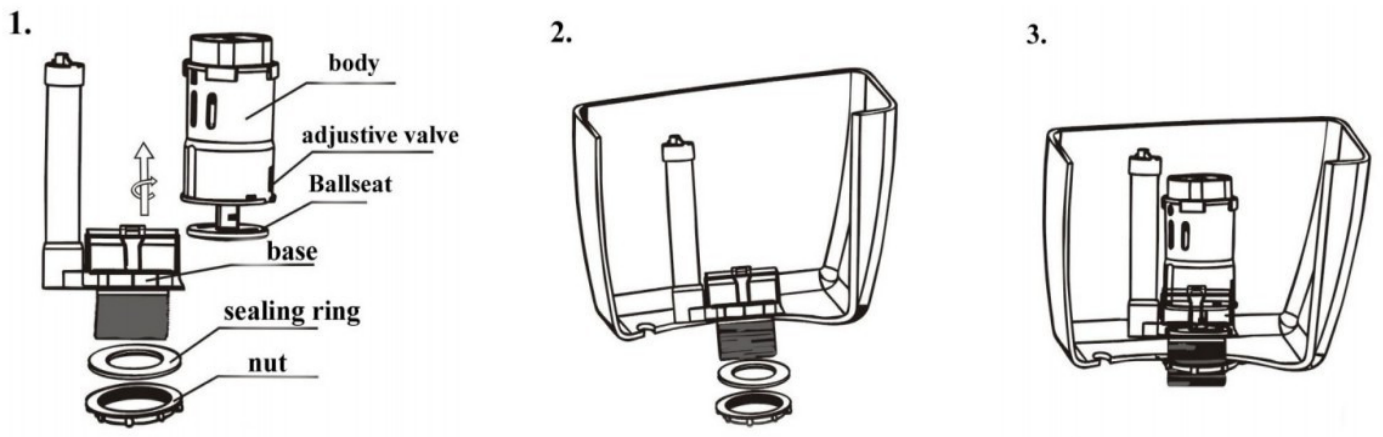
SW273

670*350*840 mm

CE
EN

SWED MART

Step 1 : Fitting the flushing body

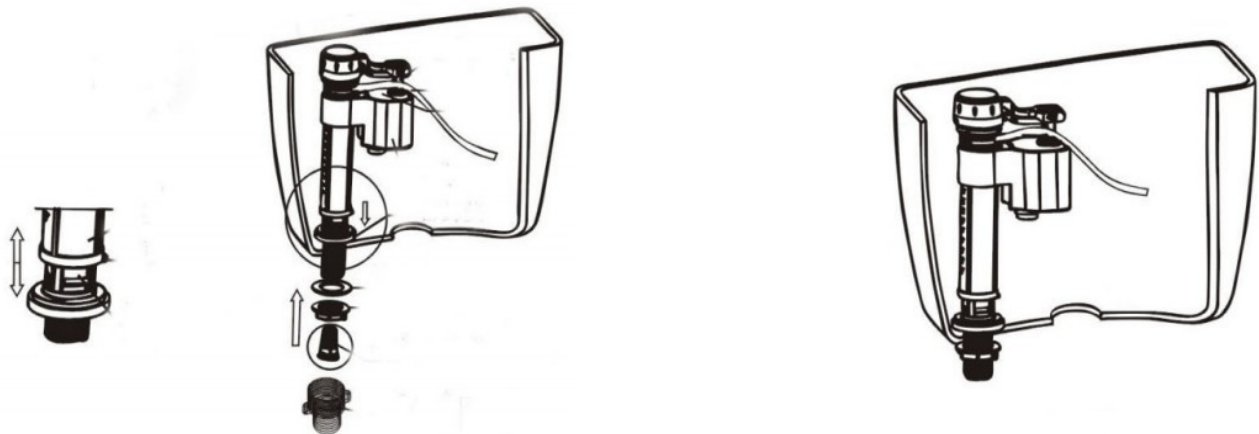


❶ Separating the Flushing unit carefully

❷ Fitting the base to the water tank

❸ Fitting the body to the base

Step 2 : Fitting the water inlet



❶ Fitting the water inlet as the picture Step by step

❷ Bucking up the nut

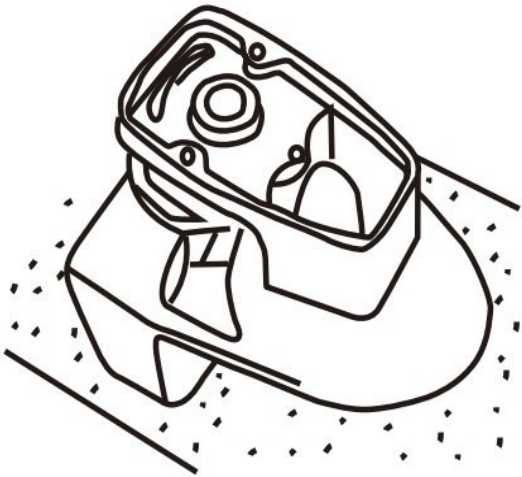
Step 3: Fitting the button



❶ Fitting the button to the lip

❷ Adjusting the threaded rod

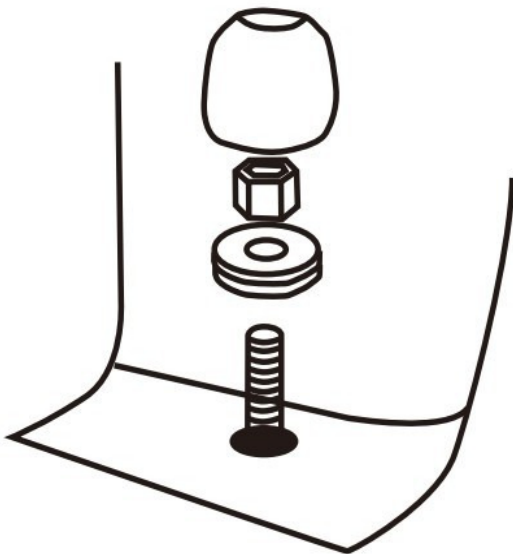
Installing the toilet



1



2



3



4

- 1 Putting the toilet on the floor as the picture and check inside to make sure the function of the drainage pipe is good. Then fit the flange (sealing ring) onto the drainage pipe.
- 2 Fit the toilet to the drainage pipe on the floor; make sure two joints are mouth to mouth. (see the picture)
- 3 Fit the screw to make sure the toilet doesn't move. (see the picture)
- 4 Using silica gel to adhere the toilet to the floor.

Swedmart Aktiebolag

Företagsinformation

Företagsnamn: Swedmart Aktiebolag

Organisationsnr: 556837-5462

Ägare: Fastighet och förvaltningsbolag

Bankgironr: 202-7563

Postadress: Industrivägen 14, 135 40 Tyresö

Kontaktuppgifter

Telefon: 0771-66 55 44

Order: kundtjanst@swedmart.se

Kundtjänst: kundtjanst@swedmart.se

Web: www.swedmart.se

Besöksadress: Butik : Industrivägen 14
135 40 Tyresö

